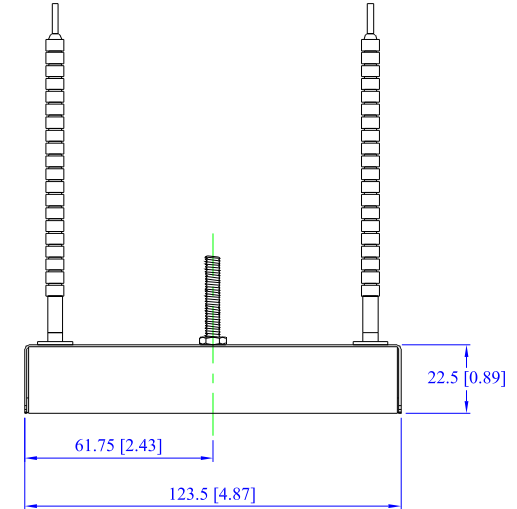
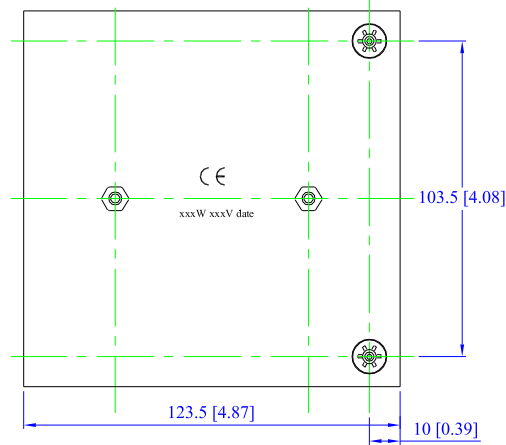
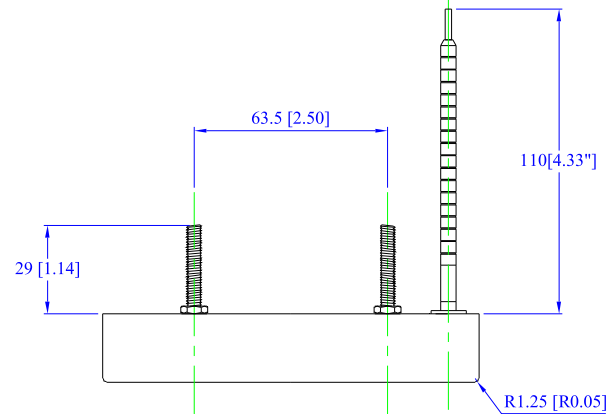


QC Document/WI 25

RevNo	Revision note	Date	Signature	Checked
0	No revisions	xx-xx-xx	J.W.	



Note.  
\* All dimensions are mm[inches]

Ref -	Qty -	Assembled Special Quartz Element			Part no.	
Drawn by J.W.	Checked by	Tolerance +/- 0.5	Filename SQE	Date 05-02-03	Scale Not to scale	
			Title <b>Special Quartz Element</b>			
			Drawing no. 050203M		Edition 1	Sheet 1