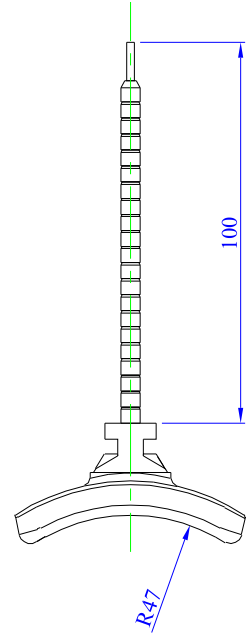
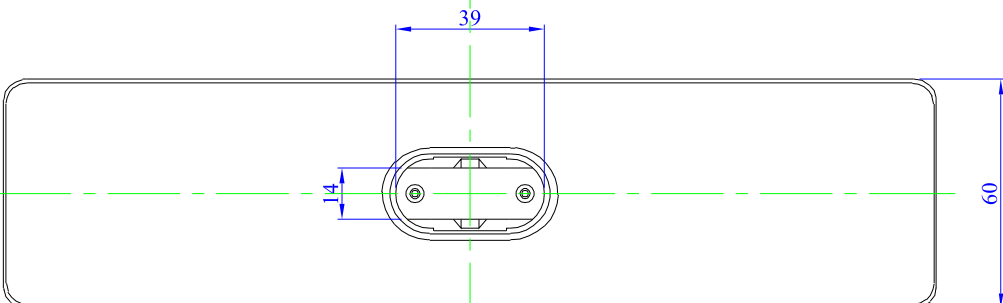
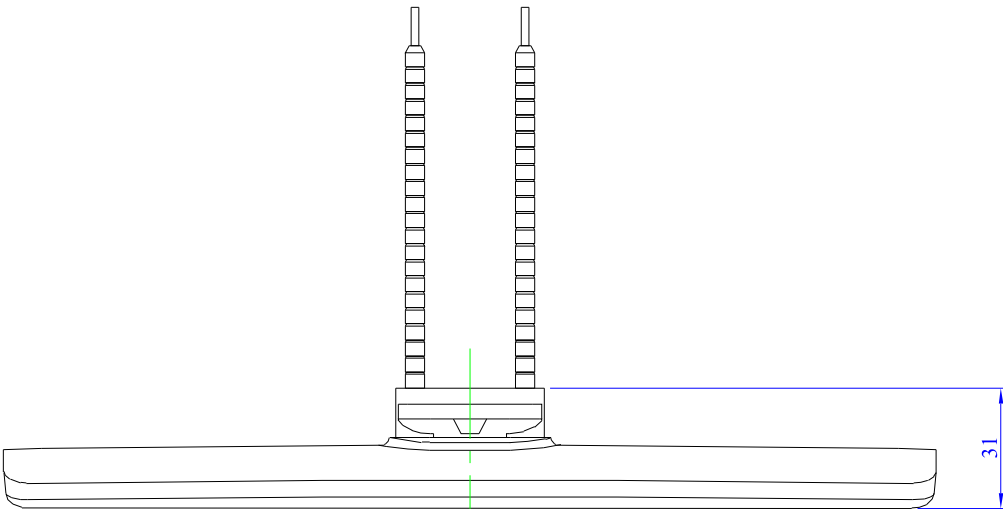
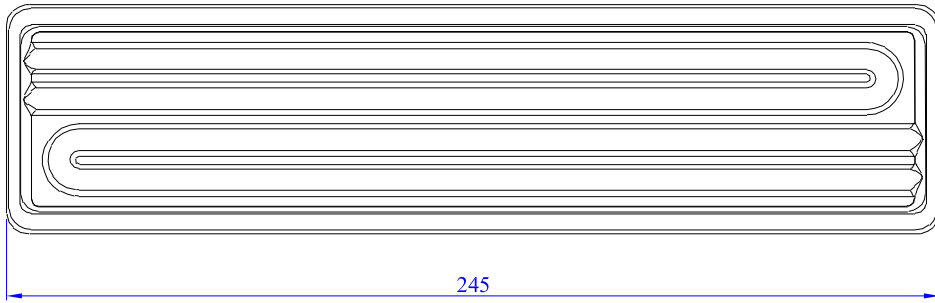



RevNo	Revision note	Date	Signature	Checked
0	No Revisions	00/00/00	J.W.	



Note.
* All dimensions are mm

Ref -	Qty -	Standard Full Trough Element			Part no. FTE0000000	
Drawn by J.W.	Checked by	Tolerance +/- 3%	Filename FTE	Date 13/02/01	Scale Not to scale	
			Title Full Trough Element			
			Drawing no. 130201A		Edition 1	Sheet 1